



MONTVILLE POLICE DEPARTMENT

6665 Wadsworth Rd Medina, Ohio 44256

Phone: 330-725-8314

www.montvilletwp.org

Fax: 330-725-0171

Private Property Accident Report

Date: 1/19/2013 Time: 0:57 Report #: 160-13-618

Location: White Tail Park

Number of Units Involved: 1

Unit #1

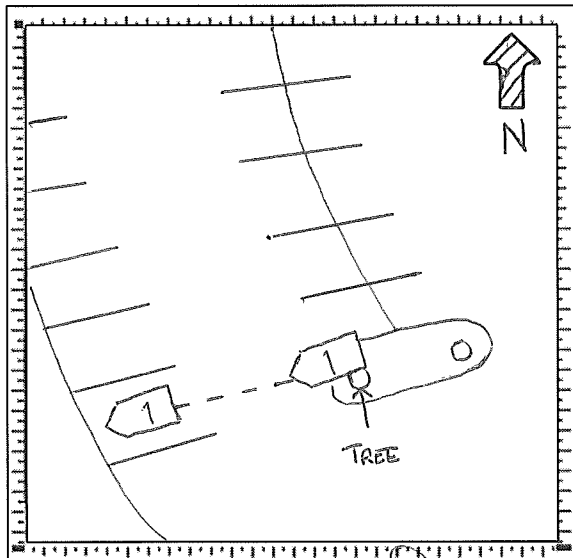
Driver Name Anthony Zivcsak		Address 339 Brenton Ln.				Phone 330-725-7827
DOB 1-30-1996	OLN TY738019	Insurance State Farm (Policy 7394194F1135)				
Owner Name (If not Driver) Deano McNeil		Address 1088 Oakbrooke Dr.				Phone 330-416-6348
Vehicle Make Chevrolet	Model Cavalier	Year 2005	License FMU5757	Color Silver	2D / 4D / SW / TK / ETC. 2D	
Damage <input type="checkbox"/> Light		<input checked="" type="checkbox"/> Moderate		<input type="checkbox"/> Heavy		Injury <input type="checkbox"/> Yes <input checked="" type="checkbox"/> No

Unit #2

Driver Name		Address				Phone
DOB	OLN	Insurance				
Owner Name (If not Driver)		Address				Phone
Vehicle Make	Model	Year	License	Color	2D / 4D / SW / TK / ETC.	
Damage <input type="checkbox"/> Light		<input type="checkbox"/> Moderate		<input type="checkbox"/> Heavy		Injury <input type="checkbox"/> Yes <input type="checkbox"/> No

Diagram

Narrative



Officer Signature: [Signature] #166 Date: 1/19/13 Approved By: [Signature]